

LACH DIAMOND

PCD Spiral Drill

for processing composite and aluminum

EMO World Innovation



◆ **Drilling into solid material - super fast**

◆ **Savings**
up to 3 work steps
drilling of pilot holes,
pre-drilling and drilling

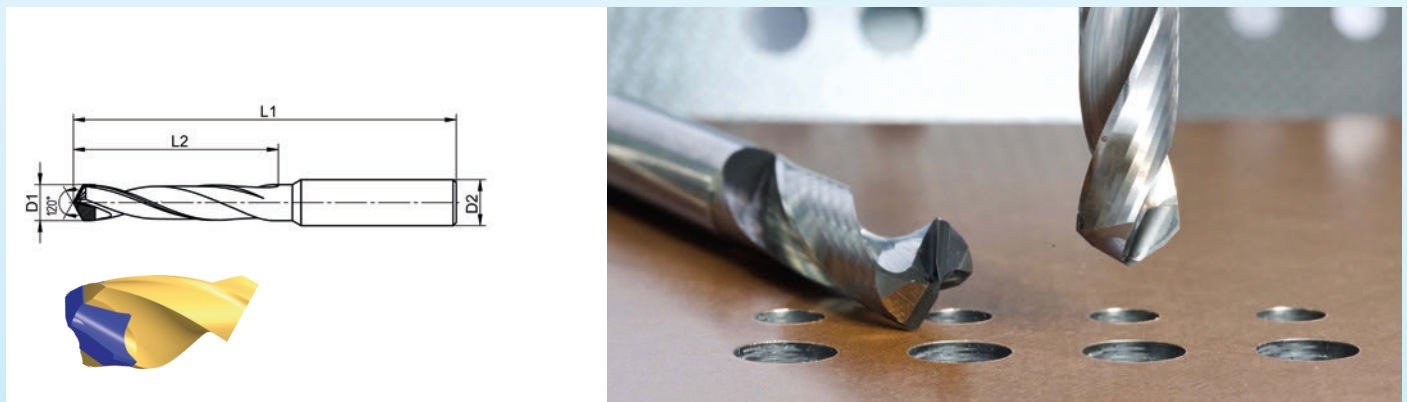
◆ **Time saving up to 75%**
ideal for maximum
machine utilization
and unmanned shifts

dreborid®-D

PCD Spiral Drill – with spiralled PCD

Type »PS«

Recommended for the finish-machining of composites, GRP, CFRP, green carbide, green ceramics and graphite



according to ISO 235/ DIN 1897					DIN 338				
D1	D2	L2	L1	Art.No.	D1	D2	L2	L1	Art.No.
2,5	3	14	43	42404192	2,5	3	30	57	42404193
3	3	16	46	42401500	3	3	33	61	42401510
4	4	22	55	42401501	4	4	43	75	42401511
5	6	26	62	42401502	5	6	52	86	42401512
6	6	28	66	42401503	6	6	57	93	42401513
8	8	37	79	42401505	8	8	75	117	42401515
10	10	43	89	42401507	10	10	87	133	42401517
12	12	51	102	42401509	12	12	101	151	42401519

Special advantages

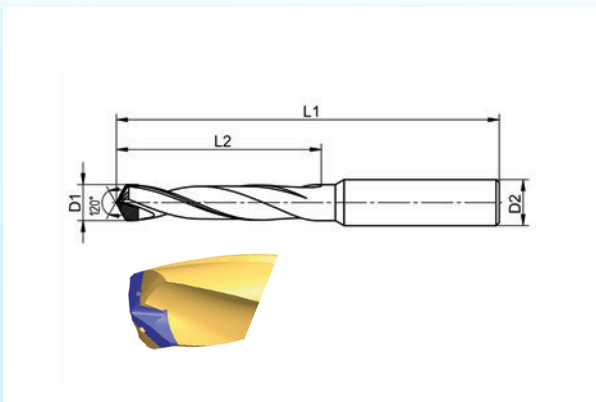
PCD spiral drills type »PS«

- ◆ delamination-free entry and exit
- ◆ highest hole quality
- ◆ optimal chip removal
- ◆ maximum possible cutting speeds and feeds for short cycle times
- ◆ long tool lives for optimal machine utilization and unmanned shifts
- ◆ resharpenable several times

Other dimensions such as intermediate sizes, and types, like step drills, custom-made according to your specifications.

Your way to highest economic efficiency and quality with time saving up to 75 %

Recommended for the series production – drilling into solid material – of aluminum or die-cast, e.g housing components, extruded or drawn parts, aluminum turning parts and in general for pinhole, thread and core drilling from 2.5 to 12 mm.



according to ISO 235/ DIN 1897					DIN 338				
D1	D2	L2	L1	Art.No.	D1	D2	L2	L1	Art.No.
2,5	3	14	43	42404511	2,5	3	30	57	42404521
3	3	16	46	42404512	3	3	33	61	42404522
4	4	22	55	42404513	4	4	43	75	42404523
5	6	26	62	42404514	5	6	52	86	42404524
6	6	28	66	42404515	6	6	57	93	42404525
8	8	37	79	42404516	8	8	75	117	42404526
10	10	43	89	42404517	10	10	87	133	42404527
12	12	51	102	42404518	12	12	101	151	42404528

Special advantages

PCD spiral drills type »PS-plus«

- ◆ Savings of up to 3 work steps – like drilling of pilot holes, pre-drilling and drilling – up to „reaming quality “ h6
- ◆ optimal chip removal via MQL or coolant
- ◆ for drill diameters over 5,0 mm with internal cooling
- ◆ highest hole quality
- ◆ maximum possible cutting speeds and feeds for short cycle times
- ◆ long tool lives for optimal machine utilization and unmanned shifts

Other dimensions such as intermediate sizes, and types, like step drills, custom-made according to your specifications.

Your way to highest economic efficiency and quality with time saving up to 75 %

LACH DIAMOND

Your innovative Partner

Reliable, customer-oriented, and ready to provide customized solutions

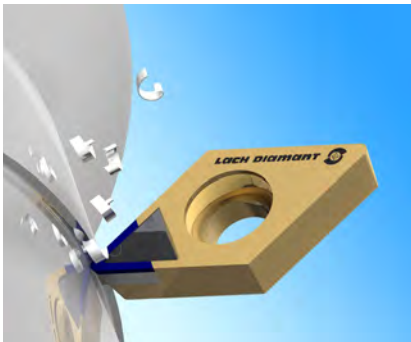


LACH DIAMOND INC., Grand Rapids/Michigan/USA



Plant and Headquarters in Hanau/Germany

Production and service facility of polycrystalline diamond and CBN tools for the automobile and aviation industries as well as for the wood, plastic and composite industries.



LACH DIAMOND Innovations

Example: »IC-plus world's best« PCD chipbreaker - world innovation (pat.) at EMO 2017 - process-reliable from 0.01 mm cutting depth (ap), feed up to maximum cutting edge length.



LACH DIAMOND Service

Resharpener and regrinding service for all PCD and CBN (PCBn) tools, MCD and CVD and natural diamonds - also for tools from other manufacturers.



Plant in Lichtenau near Chemnitz, Germany

Manufacturing plant for polycrystalline diamond and CBN tools (PCD and PCBn).

LACH DIAMOND INC.
4350 Airwest Drive, S.E. Grand Rapids, MI, 49512 USA

Phone +1 (616) 698-0101
Fax +1 (616) 698-0232
www.lachdiamond.com
office@lachdiamond.com

